

Barrier gate for control access at places with wide lanes, for example: industrial areas, traffic management etc.



## Description

- Left or right version with round arm up to 9 m, red reflecting stripes and with galvanised steel cables (for the lengths 10 m)
- Removable top cover and door.
- Exceptionally strong electromechanical assembly of 3 phase asynchronous gear motor with brake, secondary transmission with the help of gear wheels.
- Frequency inverter ensuring fluent acceleration and deceleration without vibration
- Adjustable setting of operation speed.
- Spring balancing
- Emergency release with manual hand wheel.
- Integrated control unit.
- Boom up to 9 m consisting of round aluminium tubes 100-90 diameter.
- Induction limit sensors.

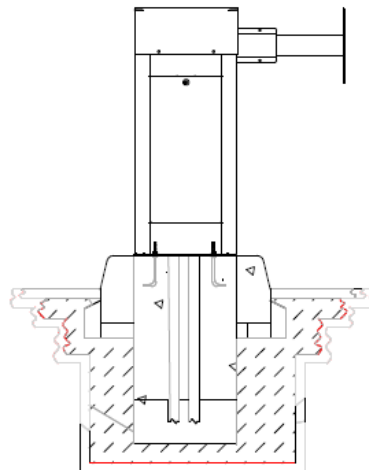
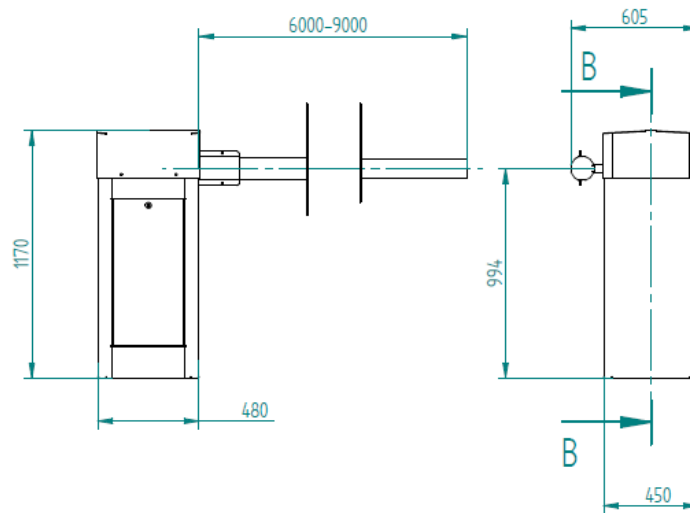
# RB53

## Specification

<b>Arm length:</b>	7-9 m
<b>Running speed:</b>	6-10 sec.
<b>Power:</b>	250 W
<b>Supply voltage:</b>	230 V/50 Hz
<b>Weight:</b>	220 kg
<b>Operating temperatures:</b>	-20°C až +50°C
<b>MCBF:</b>	3.000.000 cycles
<b>Protection:</b>	IP54
<b>Dimensions:</b>	470 x 470 x 1170 mm

## Accessories

- remote control
- loop detector
- photocells
- push button
- traffic lights
- boom lights
- key switch
- support



**ACCESSCONTROL**

závory a turnikety  
parkovací systémy  
vstupenkové systémy  
[www.asparking.cz](http://www.asparking.cz)

AS Parking s.r.o.  
Masarykova 118  
CZ - 664 42 Modřice

[asparking@asparking.cz](mailto:asparking@asparking.cz)  
T: +420 515 536 385  
F: +420 515 536 391

IČ: 25532961, DIČ: CZ25532961  
Bankovní spojení: Název banky  
č. ú.: 1234567/0100

*With constant view of adopting the latest technological development  
AS Parking reserves the right to amend the information above, and any time.*